

Pendent Mount for Select Liberty Cameras*

*Requires Appropriate Pendent Cap

L3CPM1

SUPPORTED MODELS:

Pendent Caps: L3PC2, L2PC3, L2PC4, L2PC5, L2PC6

FEATURES:

- 18" Drop Down Length
- Includes (2) 9" Drop Down Pipes
- For Use with or without Drop Down Pipes
- Manages & Protects Cables
- For Indoor & Outdoor Use

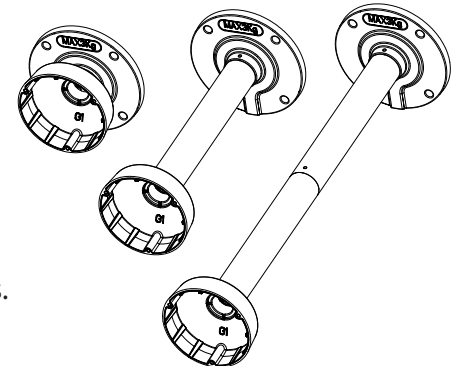
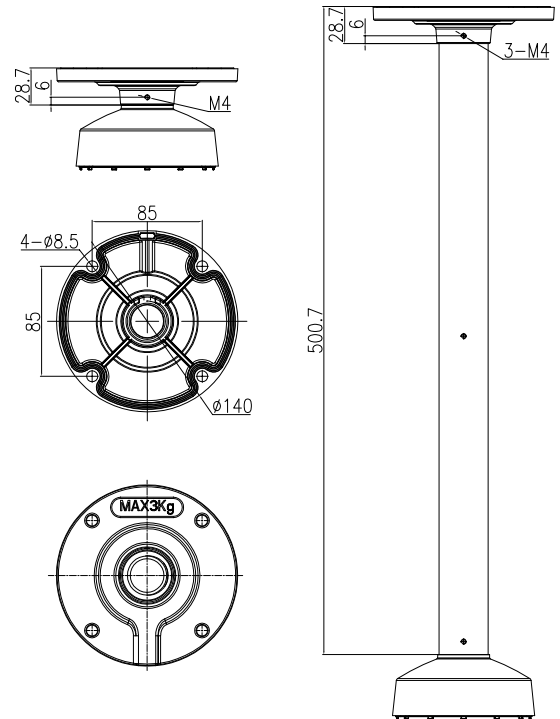
SPECIFICATIONS:

General	
Material	Aluminum Alloy
Color	White
Thread Size	G1, 1"
Product Dimensions	Ø140 × 500mm / Ø5.51 × 19.69"
Product Weight	0.92kg / 2.03 Lb.
Max Bearing Weight	3 kg / 6.61 Lb.

INCLUDED ACCESSORIES:

Item	Qty
Base plate	1
Drop Down Pipes	2
Gasket	1
Expansion Screws M6×60mm	4
Mounting Template	1
Allen Wrench	1
Stainless Steel Set Screws	3

DIMENSIONS:



L3CPM1

Note: Pendent cap not included, shown only for display purposes.



TECHNICAL SPECIFICATIONS

Pendent Mount for Select Liberty Cameras*

*Requires Appropriate Pendent Cap

L3CPM1

ABOUT THIS BRACKET – Read Before Use

1. Before installation, please check the bracket packing and accessories are intact. If the bracket is damaged or missing accessories please contact us at 855-388-7422.
2. Do not exceed the MAX load listed on the bracket label.
3. Check the installation area and make sure it will support the total weight of the installed product and bracket.
4. Bracket ships with installation screws, check the material the bracket will be installed onto and use appropriate screws based on the material (may not be supplied with bracket).
5. If the bracket is installed near the ocean or areas exposed to heavy chemicals corrosion may occur which can affect the strength of the bracket. Check the bracket regularly for corrosion.



ABOUT THIS BRACKET – Read Before Use

1. Before installation, please check the bracket packing and accessories are intact. If the bracket is damaged or missing accessories please contact us at 855-388-7422.
2. Do not exceed the MAX load listed on the bracket label.
3. Check the installation area and make sure it will support the total weight of the installed product and bracket.
4. Bracket ships with installation screws, check the material the bracket will be installed onto and use appropriate screws based on the material (may not be supplied with bracket).
5. If the bracket is installed near the ocean or areas exposed to heavy chemicals corrosion may occur which can affect the strength of the bracket. Check the bracket regularly for corrosion.

TECHNICAL SPECIFICATIONS

SUPPORTED MODELS:

L3IP4BS, L3IP4VFBS, L3IP8BS, L3IP8VFBS,
LA5BIR80, LA5BVFIR120, LA5BFC60

FEATURES:

- Manages & Protects Cables
- 3/4" Conduit Access
- For Indoor & Outdoor Use

SPECIFICATIONS:

	L3JB1
Material	Aluminum Alloy
Color	White
Product Dimensions	Ø110 × 48mm / Ø4.33 × 1.89"
Product Weight	0.3kg / 0.66 Lb.
Max Bearing Weight	3 kg / 6.61 Lb.

PACKAGE INCLUDES:

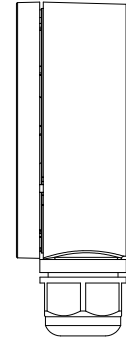
Item	Qty
Junction box	1
3/4" Conduit Caps	1
Plastic Conduit Cable Connector	1
Rubber Grommet (for cable Ø4.5-5.5mm)	1
Rubber Grommet (for cable Ø6-8mm)	1
Black Rubber Plug	1
Mounting Template	1
Torx Screws M4×18mm	4
Torx Screws M4×10mm	4
Torx Wrench	1
Mounting Hardware Packet	1

SCREW / MOUNTING SYMBOL GUIDE:

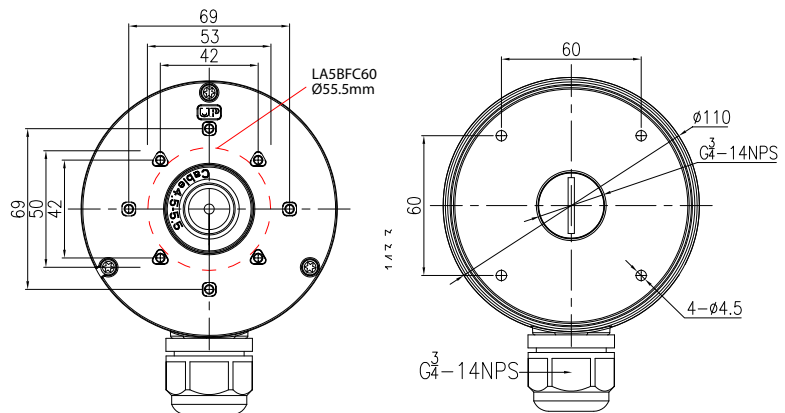
Model	Screw/ Symbol
L3IP4BS, L3IP8BS, LA5BIR80	M4×10mm / ▲
L3IP4VFBS, L3IP8VFBS, LA5BVFIR120	M4×10mm / 4-Hole (50x53mm)
LA5BFC60	M4×10mm / 3-hole (Ø 55.5mm)

L3JB1

L3JB1



DIMENSIONS:



ABOUT THIS BRACKET – Read Before Use

1. Before installation, please check the bracket packing and accessories are intact. If the bracket is damaged or missing accessories please contact us at 855-388-7422.
2. Do not exceed the MAX load listed on the bracket label.
3. Check the installation area and make sure it will support the total weight of the installed product and bracket.
4. Bracket ships with installation screws, check the material the bracket will be installed onto and use appropriate screws based on the material (may not be supplied with bracket).
5. If the bracket is installed near the ocean or areas exposed to heavy chemicals corrosion may occur which can affect the strength of the bracket. Check the bracket regularly for corrosion.

TECHNICAL SPECIFICATIONS

L3JB2

SUPPORTED MODELS:

L3IP4DS, L3IP4DS4, L3IP8DS, L3IP8DS4

FEATURES:

- Manages & Protects Cables
- 3/4" Conduit Access
- For Indoor & Outdoor Use

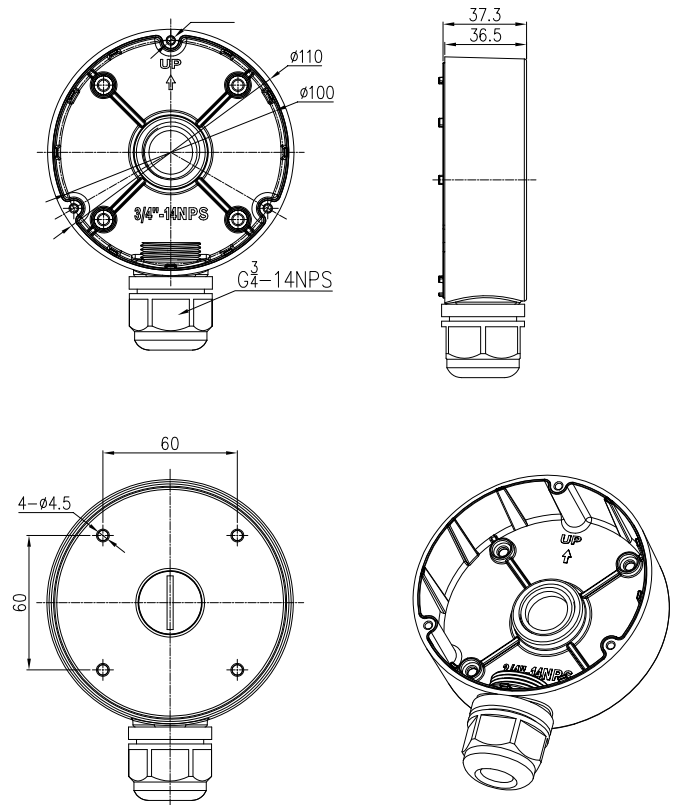
L3JB2



SPECIFICATIONS:

	N2JB2
Material	Aluminum Alloy
Color	White
Product Dimensions	Ø110 × 37.3mm / Ø4.33 × 1.47"
Product Weight	0.21kg / 0.46 Lb.
Max Bearing Weight	3 kg / 6.61 Lb.

DIMENSIONS:



INCLUDED ACCESSORIES:

Item	Qty
Junction box	1
3/4" Conduit Caps	1
Plastic Conduit Cable Connector	1
Gasket	1
Black Rubber Plug	1
Mounting Template	1
Phillips Screws PM4×10mm	3
Mounting Hardware Packet	1

ABOUT THIS BRACKET – Read Before Use

1. Before installation, please check the bracket packing and accessories are intact. If the bracket is damaged or missing accessories please contact us at 855-388-7422.
2. Do not exceed the MAX load listed on the bracket label.
3. Check the installation area and make sure it will support the total weight of the installed product and bracket.
4. Bracket ships with installation screws, check the material the bracket will be installed onto and use appropriate screws based on the material (may not be supplied with bracket).
5. If the bracket is installed near the ocean or areas exposed to heavy chemicals corrosion may occur which can affect the strength of the bracket. Check the bracket regularly for corrosion.

TECHNICAL SPECIFICATIONS

L3JB3

SUPPORTED MODELS:

L3IP4TS, L3IP4TS4, L3IP4TFCS, L3IP8TS, L3IP8TS4, LA5TIR80, LA5TIR100, LA5TFC100

FEATURES:

- Manages & Protects Cables
- 3/4" Conduit Access
- For Indoor & Outdoor Use

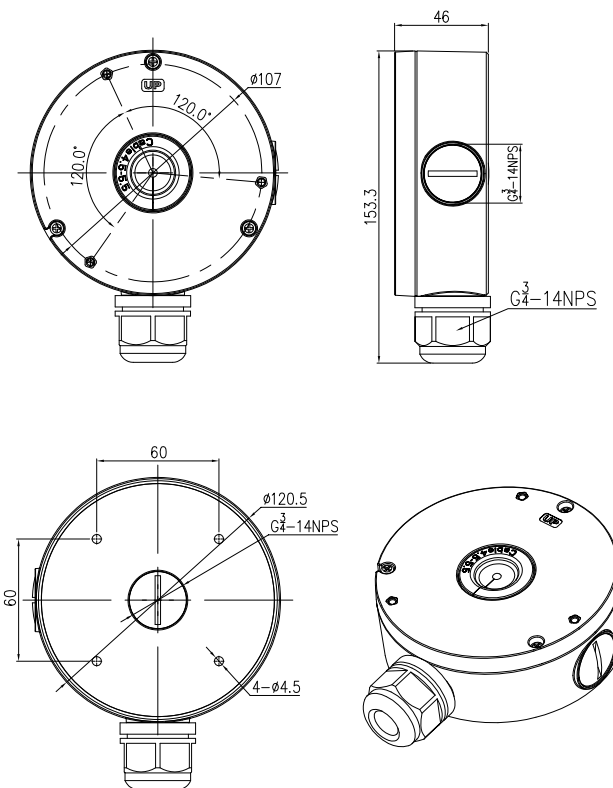
SPECIFICATIONS:

	L3JB3
Material	Aluminum Alloy
Color	White
Product Dimensions	Ø117 x 46mm / Ø4.21 x 1.81"
Product Weight	0.34kg / 0.75 Lb.
Max Bearing Weight	3 kg / 6.61 Lb.

L3JB3



DIMENSIONS:



INCLUDED ACCESSORIES:

Item	Qty
Junction box	1
3/4" Conduit Caps	2
Plastic Conduit Cable Connector	1
Rubber Grommet (for cable Ø4.5-5.5mm)	1
Rubber Grommet (for cable Ø6-8mm)	1
Black Rubber Plug	1
Mounting Template	1
Torx Screws M4x18mm	3
Torx Wrench	1
Mounting Hardware Packet	1

ABOUT THIS BRACKET – Read Before Use

1. Before installation, please check the bracket packing and accessories are intact. If the bracket is damaged or missing accessories please contact us at 855-388-7422.
2. Do not exceed the MAX load listed on the bracket label.
3. Check the installation area and make sure it will support the total weight of the installed product and bracket.
4. Bracket ships with installation screws, check the material the bracket will be installed onto and use appropriate screws based on the material (may not be supplied with bracket).
5. If the bracket is installed near the ocean or areas exposed to heavy chemicals corrosion may occur which can affect the strength of the bracket. Check the bracket regularly for corrosion.

TECHNICAL SPECIFICATIONS

L3JB4

SUPPORTED MODELS:

L3IP8WS

FEATURES:

- Manages & Protects Cables
- 3/4" Conduit Access
- For Indoor & Outdoor Use

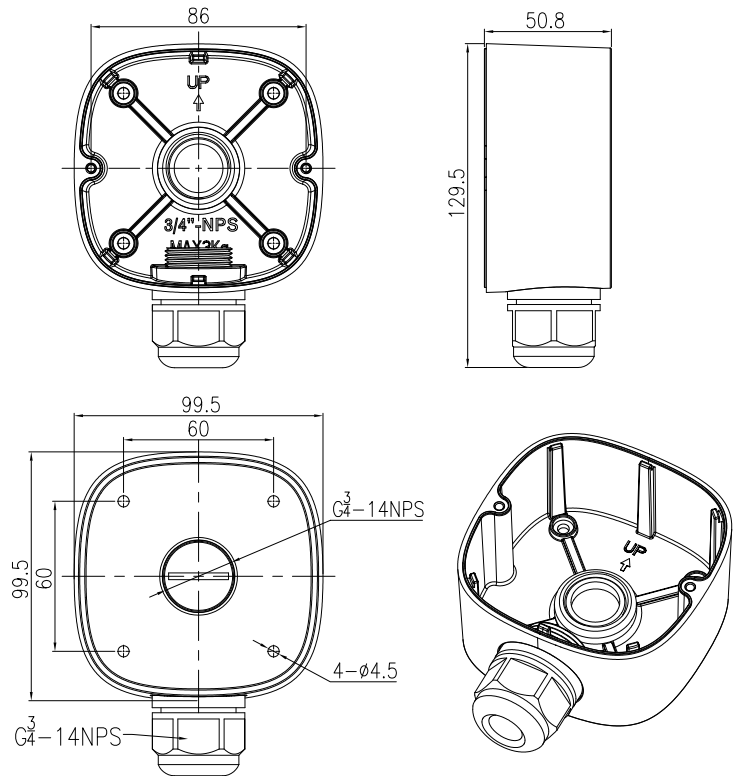


L3JB4

SPECIFICATIONS:

	L3JB4
Material	Aluminum Alloy
Color	White
Product Dimensions	99.5 × 99.5 × 50.8mm / 3.92 × 3.92 × 2"
Product Weight	0.24kg / 0.53 Lb.
Max Bearing Weight	3 kg / 6.61 Lb.

DIMENSIONS:



INCLUDED ACCESSORIES:

Item	Qty
Junction box	1
3/4" Conduit Caps	1
Plastic Conduit Cable Connector	1
Gasket	1
Black Rubber Plug	1
Mounting Template	1
Phillips Pan Head Screws PWM 4×8mm	2
Mounting Hardware Packet	1

ABOUT THIS BRACKET – Read Before Use

1. Before installation, please check the bracket packing and accessories are intact. If the bracket is damaged or missing accessories please contact us at 855-388-7422.
2. Do not exceed the MAX load listed on the bracket label.
3. Check the installation area and make sure it will support the total weight of the installed product and bracket.
4. Bracket ships with installation screws, check the material the bracket will be installed onto and use appropriate screws based on the material (may not be supplied with bracket).
5. If the bracket is installed near the ocean or areas exposed to heavy chemicals corrosion may occur which can affect the strength of the bracket. Check the bracket regularly for corrosion.

TECHNICAL SPECIFICATIONS

L3JB5

SUPPORTED MODELS:

L3IP4VFDS, L3IP8VFDS, LA5VFDIR100, LA5VFDIR100IN

FEATURES:

- Manages & Protects Cables
- 3/4" Conduit Access
- For Indoor & Outdoor Use

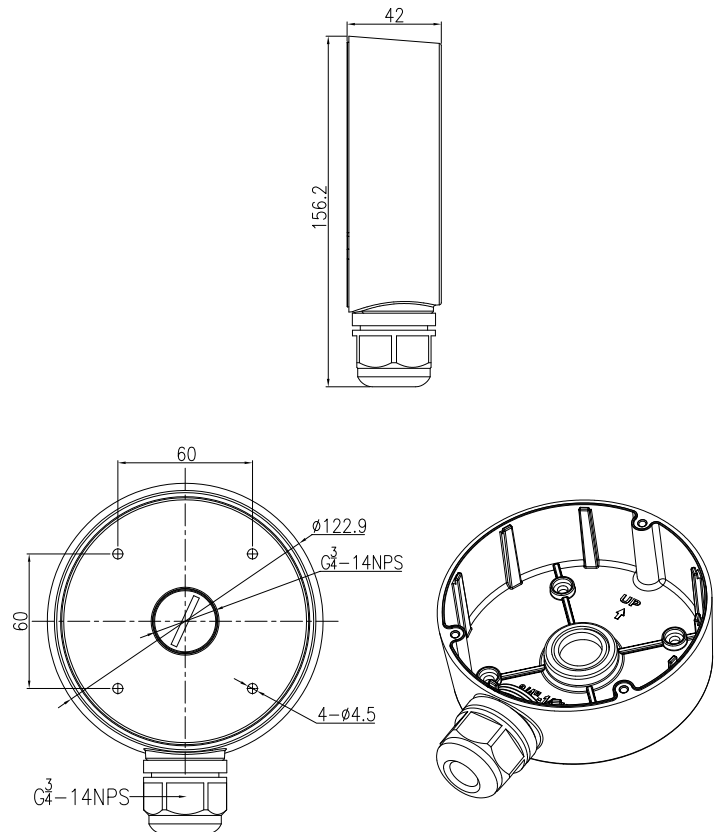


L3JB5

SPECIFICATIONS:

	L3JB5
Material	Aluminum Alloy
Color	White
Product Dimensions	Ø122.9 x 42mm / Ø4.84 x 1.65"
Product Weight	0.24kg / 0.53 Lb.
Max Bearing Weight	3 kg / 6.61 Lb.

DIMENSIONS:



INCLUDED ACCESSORIES:

Item	Qty
Junction box	1
3/4" Conduit Caps	1
Plastic Conduit Cable Connector	1
Gasket (w/o Notch for LA5VFDIR100, LA5VFDIR100IN)	1
Gasket (w/Notch for L3IP4VFDS, L3IP8VFDS)	1
Black Rubber Plug	1
Mounting Template	1
Phillips Round Head Screws PM4×10mm	3
Torx Wrench	1
Mounting Hardware Packet	1

ABOUT THIS BRACKET – Read Before Use

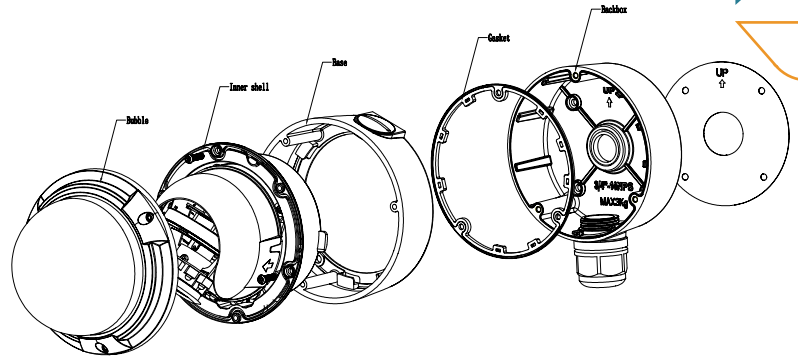
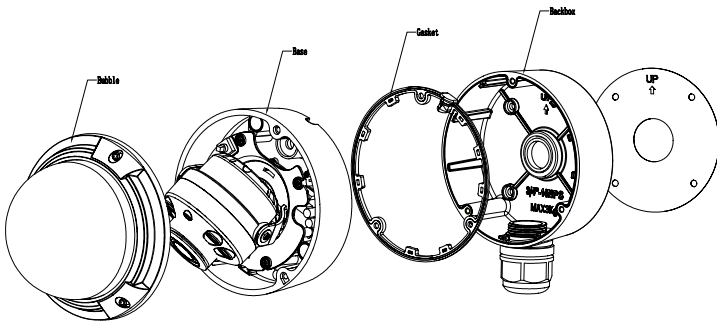
1. Before installation, please check the bracket packing and accessories are intact. If the bracket is damaged or missing accessories please contact us at 855-388-7422.
2. Do not exceed the MAX load listed on the bracket label.
3. Check the installation area and make sure it will support the total weight of the installed product and bracket.
4. Bracket ships with installation screws, check the material the bracket will be installed onto and use appropriate screws based on the material (may not be supplied with bracket).
5. If the bracket is installed near the ocean or areas exposed to heavy chemicals corrosion may occur which can affect the strength of the bracket. Check the bracket regularly for corrosion.

SEE PAGE 2 FOR GASKET SELECTION AND DOME INSTALLATION

TECHNICAL SPECIFICATIONS

L3JB5 DOME INSTALLATION GUIDE:

L3JB5



Installation of L3IP4VFDS & L3IP8VFDS

1. Paste the positioning label (arrow up direction).
2. Drill holes for screw locations, insert plastic anchors into the holes.
3. Install the backbox by aligning the four holes with the plastic anchors (arrow up direction). Install the 4 screws into the anchors.
4. Fit gasket onto the backbox.
5. Unscrew the screws with wrench on camera, open the bubble.
6. Connect the cables. Install the camera base by aligning the three holes with the three threaded holes on backbox.
7. Adjust the monitoring direction of the camera, install the camera bubble and fasten the screws.

Installation of LA5VFDIR100 & LA5VFDIR100IN

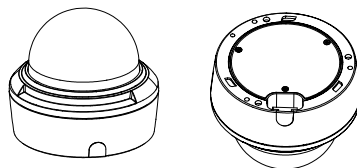
1. Paste the positioning label (arrow up direction).
2. Drill holes for screw locations, insert plastic anchors into the holes.
3. Install the backbox by aligning the four holes with the plastic anchors (arrow up direction). Install the 4 screws into the anchors.
4. Fit gasket onto the backbox.
5. Unscrew the screws with wrench on camera, open the bubble.
6. Unscrew the screws that fix the inner shell, then the three holes on the bottom can be seen.
7. Install the camera base by aligning the three holes with the three threaded holes on backbox. Connect the cables.
8. Install the inner shell on the base.
9. Adjust the monitoring direction of the camera, install the camera bubble and fasten the screws.

L3JB5 GASKET SELECTION:

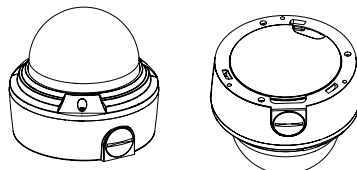
Choose the correct Gasket according to the camera housing.

Note there are two types of Gasket, with notch and without notch.

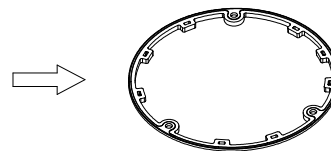
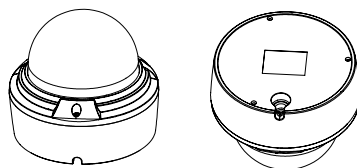
LA5VFDIR100IN



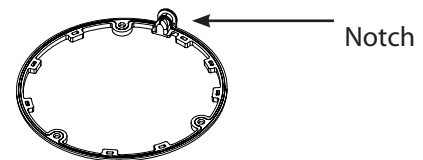
LA5VFDIR100



L3IP4VFDS & L3IP8VFDS



Use Gasket with no Notch



Uses Gasket with Notch

TECHNICAL SPECIFICATIONS

L3JB6

SUPPORTED MODELS:

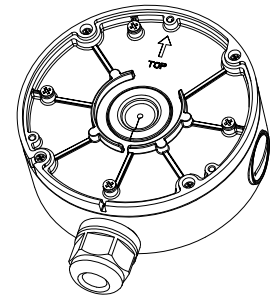
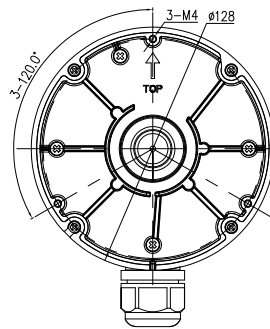
L3IP8TFCS

FEATURES:

- Manages & Protects Cables
- 3/4" Conduit Access
- For Indoor & Outdoor Use



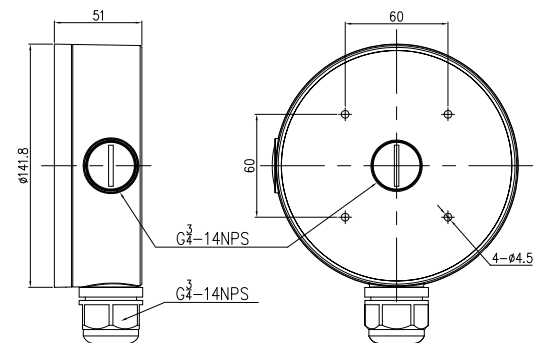
L3JB6



SPECIFICATIONS:

	L3JB6
Material	Aluminum Alloy
Color	White
Product Dimensions	Ø141.8 × 51mm / Ø5.58 × 2.0"
Product Weight	0.58kg / 1.27 Lb.
Max Bearing Weight	3 kg / 6.61 Lb.

DIMENSIONS:



INCLUDED ACCESSORIES:

Item	Qty
Junction box	1
Round Head PM4×12mm Screws	3
Plastic Conduit Cable Connector	1
Rubber Grommet (for cable Ø4.5~5.5mm)	1
Rubber Grommet (for cable Ø6~8mm)	1
3/4" Conduit Caps	2
Mounting Template	1
Torx Screws PM4×10mm	3
T15 Ring Spanner	1
Mounting Hardware Packet	1
Quick Start Guide	1

ABOUT THIS BRACKET – Read Before Use

1. Before installation, please check the bracket packing and accessories are intact. If the bracket is damaged or missing accessories please contact us at 855-388-7422.
2. Do not exceed the MAX load listed on the bracket label.
3. Check the installation area and make sure it will support the total weight of the installed product and bracket.
4. Bracket ships with installation screws, check the material the bracket will be installed onto and use appropriate screws based on the material (may not be supplied with bracket).
5. If the bracket is installed near the ocean or areas exposed to heavy chemicals corrosion may occur which can affect the strength of the bracket. Check the bracket regularly for corrosion.

Pendent Cap for Select Cameras*

*Requires L3HWM1 Wall Mount or L3CPM1 Pendent Mount

SUPPORTED MODELS:

L3IP4DS, L3IP4DS4, L3IP8DS, L3IP8DS4



L3PC2

L3PC2

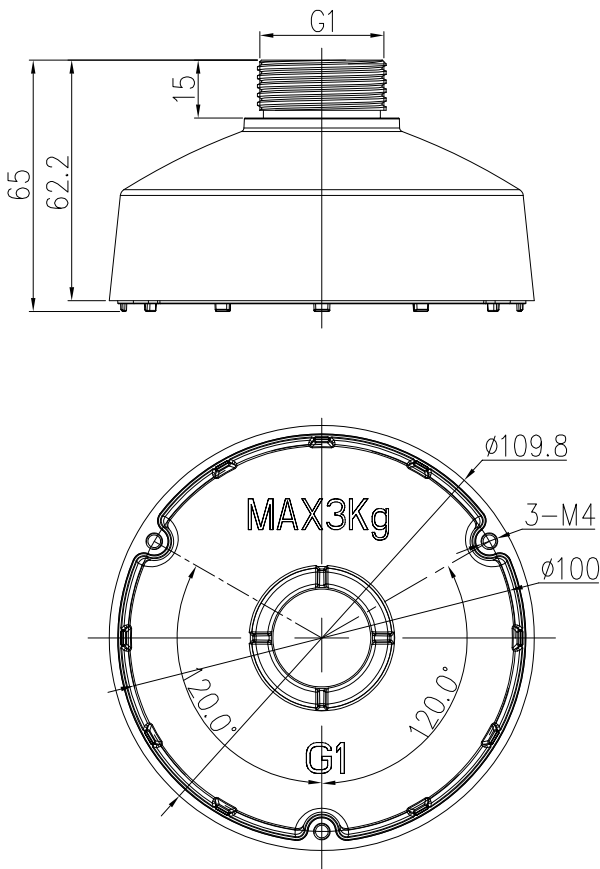
SPECIFICATIONS:

	L3PC2
Material	Aluminum Alloy
Color	White
Product Dimensions	Ø109.8 x 65mm / Ø4.32 x 2.56"
Product Weight	0.13kg / 0.29 Lb.
Max Bearing Weight	3 kg / 6.61 Lb.
Product Weight	0.13kg (0.29 Lb.)

INCLUDED ACCESSORIES:

Item	Qty
Pendent Cap	1
Gasket	1
Philips Round PM4x10mm	3

DIMENSIONS:



ABOUT THIS BRACKET – Read Before Use

1. Before installation, please check the bracket packing and accessories are intact. If the bracket is damaged or missing accessories please contact us at 855-388-7422.
2. Do not exceed the MAX load listed on the bracket label.
3. Check the installation area and make sure it will support the total weight of the installed product and bracket.
4. Bracket ships with installation screws, check the material the bracket will be installed onto and use appropriate screws based on the material (may not be supplied with bracket).
5. If the bracket is installed near the ocean or areas exposed to heavy chemicals corrosion may occur which can affect the strength of the bracket. Check the bracket regularly for corrosion.

TECHNICAL SPECIFICATIONS

SUPPORTED MODELS:

L3IP4TS, L3IP4TS4, L3IP4TFCS, L3IP8TS, L3IP8TS4, LA5TIR100, LA5TFC100

FEATURES:

- Pendent Mount for Dome Camera
- Aluminum Alloy
- For Indoor & Outdoor Use

SPECIFICATIONS:

	L3PC3
Material	Aluminum Alloy
Color	White
Product Dimensions	Ø118 x 68mm / Ø4.65 x 2.68"
Product Weight	0.17kg / 0.37 Lb.
Max Bearing Weight	3 kg / 6.61 Lb.

L3PC3

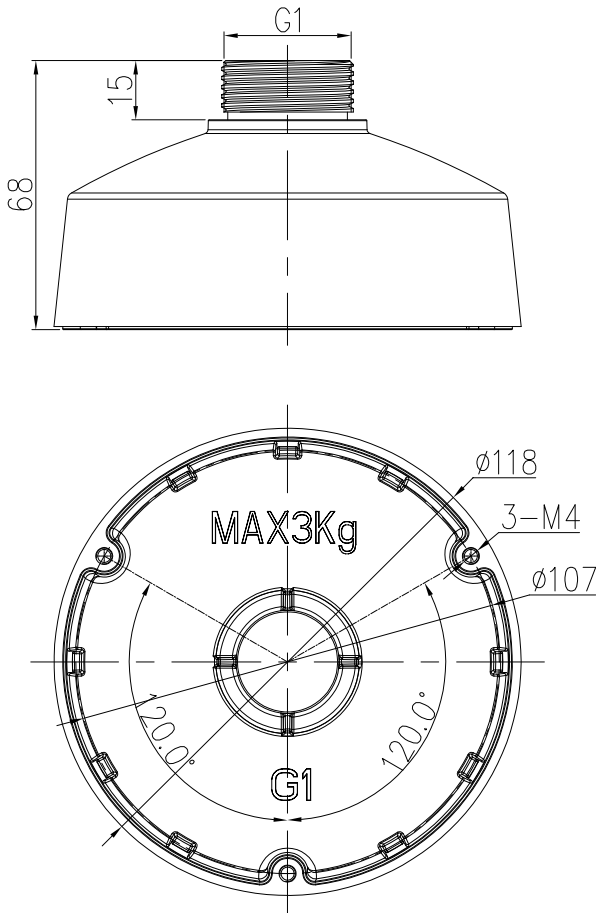


L3PC3

INCLUDED ACCESSORIES:

Item	Qty
Pendent Cap	1
Gasket	1
Philips Round PM4x10mm	3

DIMENSIONS:



ABOUT THIS BRACKET – Read Before Use

1. Before installation, please check the bracket packing and accessories are intact. If the bracket is damaged or missing accessories please contact us at 855-388-7422.
2. Do not exceed the MAX load listed on the bracket label.
3. Check the installation area and make sure it will support the total weight of the installed product and bracket.
4. Bracket ships with installation screws, check the material the bracket will be installed onto and use appropriate screws based on the material (may not be supplied with bracket).
5. If the bracket is installed near the ocean or areas exposed to heavy chemicals corrosion may occur which can affect the strength of the bracket. Check the bracket regularly for corrosion.

TECHNICAL SPECIFICATIONS

SUPPORTED MODELS:

L3IP8WS

FEATURES:

- Pendent Mount for Dome Camera
- Aluminum Alloy
- For Indoor & Outdoor Use

L3PC4



L3PC4

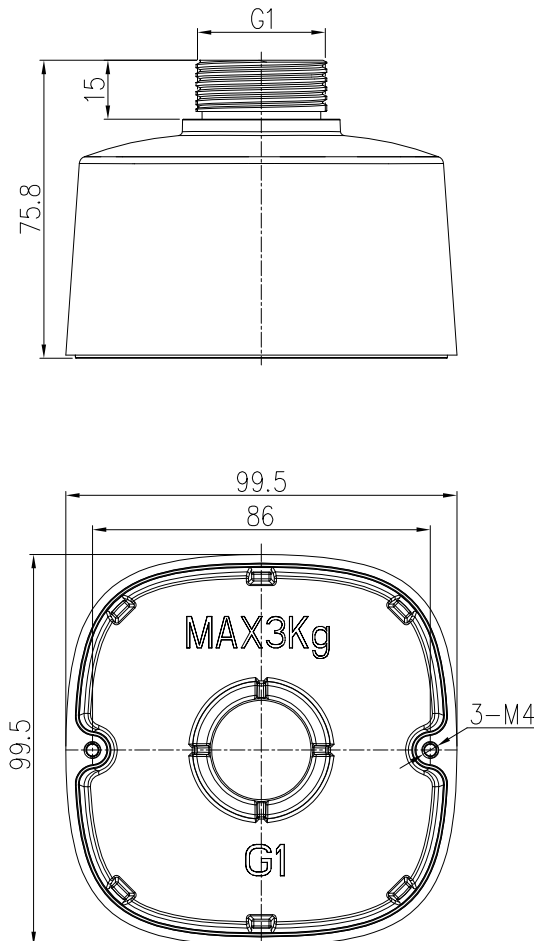
SPECIFICATIONS:

	L3PC4
Material	Aluminum Alloy
Color	White
Product Dimensions	99.5 x 99.5mm x 75.8mm / 3.92" x 3.92" x 2.98"
Product Weight	0.19kg / 0.42 Lb.
Max Bearing Weight	3 kg / 6.61 Lb.

INCLUDED ACCESSORIES:

Item	Qty
Pendent Cap	1
Gasket	1
Small Round Gasket	1
Phillips Pan Head Screws PWM4x8mm	2

DIMENSIONS:



ABOUT THIS BRACKET – Read Before Use

1. Before installation, please check the bracket packing and accessories are intact. If the bracket is damaged or missing accessories please contact us at 855-388-7422.
2. Do not exceed the MAX load listed on the bracket label.
3. Check the installation area and make sure it will support the total weight of the installed product and bracket.
4. Bracket ships with installation screws, check the material the bracket will be installed onto and use appropriate screws based on the material (may not be supplied with bracket).
5. If the bracket is installed near the ocean or areas exposed to heavy chemicals corrosion may occur which can affect the strength of the bracket. Check the bracket regularly for corrosion.

TECHNICAL SPECIFICATIONS

SUPPORTED MODELS:

L3IP4VFDS, L3IP8VFDS, LA5VFDIR100, LA5VFDIR100IN

FEATURES:

- Pendent Mount for Dome Camera
- Aluminum Alloy
- For Indoor & Outdoor Use

SPECIFICATIONS:

	L3PC5
Material	Aluminum Alloy
Color	White
Product Dimensions	Ø122.8 x 68mm / Ø4.83 x 2.68"
Product Weight	0.17kg / 0.37 Lb.
Max Bearing Weight	3 kg / 6.61 Lb.

L3PC5

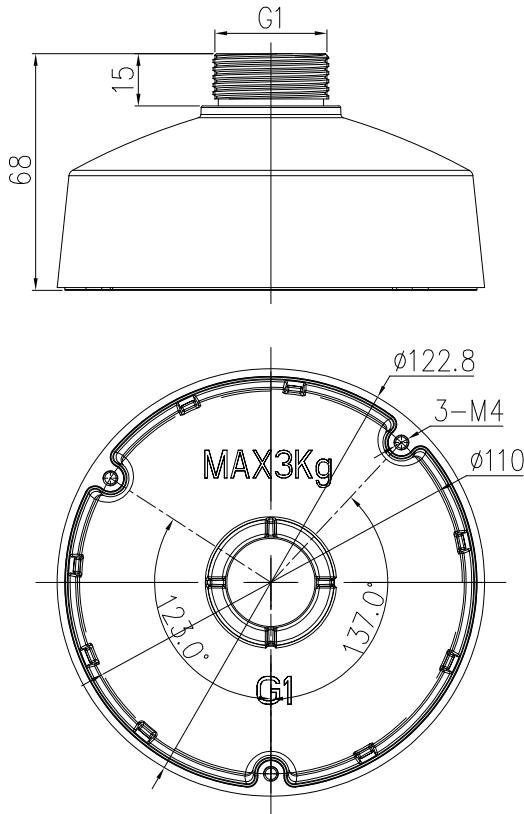
L3PC5



INCLUDED ACCESSORIES:

Item	Qty
Pendent Cap	1
Gasket w/o Notch for L3IP Models	1
Gasket w/Notch for LA5VFD Models	1
Philips Round PM4x10mm	3

DIMENSIONS:



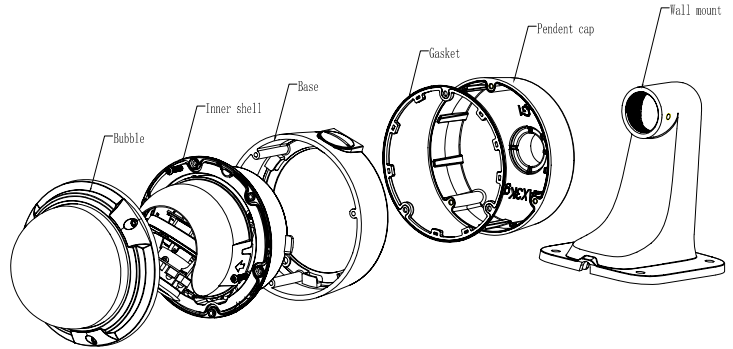
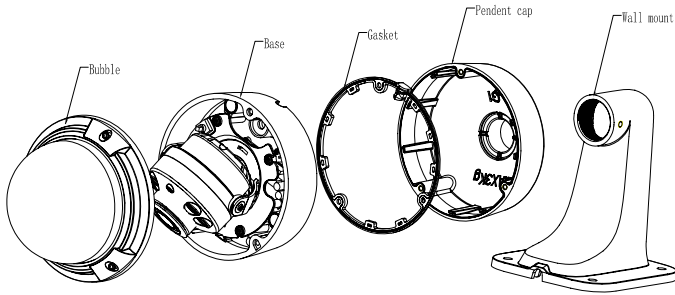
ABOUT THIS BRACKET – Read Before Use

1. Before installation, please check the bracket packing and accessories are intact. If the bracket is damaged or missing accessories please contact us at 855-388-7422.
2. Do not exceed the MAX load listed on the bracket label.
3. Check the installation area and make sure it will support the total weight of the installed product and bracket.
4. Bracket ships with installation screws, check the material the bracket will be installed onto and use appropriate screws based on the material (may not be supplied with bracket).
5. If the bracket is installed near the ocean or areas exposed to heavy chemicals corrosion may occur which can affect the strength of the bracket. Check the bracket regularly for corrosion.

SEE PAGE 2 FOR GASKET SELECTION AND DOME INSTALLATION

L3PC5 DOME INSTALLATION GUIDE:

L3PC5



Installation of L3IP4VFDS & L3IP8VFDS

1. Twist the pendant cap into the wall mount, fix it by fastening the screw on the side.
2. Fit the gasket onto the pendant cap.
3. Unscrew the screws with wrench on camera, open the bubble.
4. Connect the cables, install the camera base by aligning the three holes on the bottom with the three threaded holes on pendant cap. Fix the camera base with screws.
5. Adjust the monitoring direction of the camera, install the camera bubble and fasten the screws.

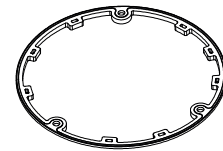
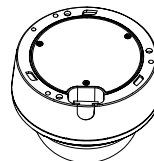
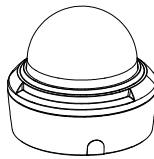
Installation of LA5VFDIR100, LA5VFDIR100IN

1. Twist the pendant cap into the wall mount, fix it by fastening the screw on the side.
2. Fit the gasket onto the pendant cap.
3. Unscrew the screws with wrench on camera, open the bubble.
4. Unscrew the screws that fixed the inner shell, then the three holes on the bottom can be seen.
5. Install the camera base by aligning the three holes on the bottom with the three threaded holes on pendant cap. Connect the camera cables.
6. Install the inner shell on the base.
7. Adjust the monitoring direction of the camera, install the camera bubble and fasten the screws.

L3PC5 GASKET SELECTION:

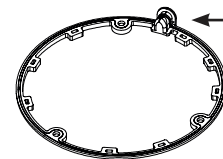
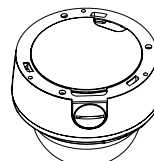
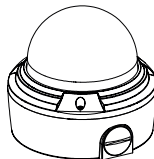
Choose the correct Gasket according to the camera housing.
Note there are two types of Gasket, with notch and without notch.

LA5VFDIR100IN



Use Gasket with no Notch

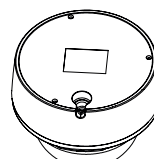
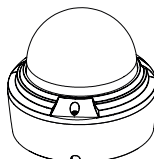
LA5VFDIR100



Notch

Uses Gasket with Notch

L3IP4VFDS, L3IP8VFDS



TECHNICAL SPECIFICATIONS

SUPPORTED MODELS:

L3IP8TFCS

FEATURES:

- Pendent Mount for Dome Camera
- Aluminum Alloy
- For Indoor & Outdoor Use



L3PC6

L3PC6

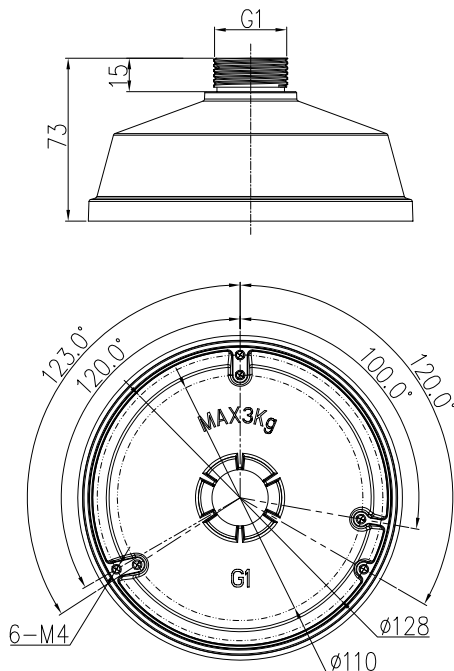
SPECIFICATIONS:

	L3PC6
Material	Aluminum Alloy
Color	White
Product Dimensions	Ø145 × 73mm / Ø5.71 × 2.87"
Product Weight	0.21 kg / 0.46 Lb.
Max Bearing Weight	3 kg / 6.61 Lb.

INCLUDED ACCESSORIES:

Item	Qty
Pendent Cap	1
PM4×6mm Screws	3
PM4×10mm Screws	3

DIMENSIONS:



ABOUT THIS BRACKET – Read Before Use

1. Before installation, please check the bracket packing and accessories are intact. If the bracket is damaged or missing accessories please contact us at 855-388-7422.
2. Do not exceed the MAX load listed on the bracket label.
3. Check the installation area and make sure it will support the total weight of the installed product and bracket.
4. Bracket ships with installation screws, check the material the bracket will be installed onto and use appropriate screws based on the material (may not be supplied with bracket).
5. If the bracket is installed near the ocean or areas exposed to heavy chemicals corrosion may occur which can affect the strength of the bracket. Check the bracket regularly for corrosion.

TECHNICAL SPECIFICATIONS

L3POLEMT2

SUPPORTED MODELS:

Hinged Wall Mount: L3HWM1
 Junction Boxes: L3JB1, L3JB2, L3JB3, L3JB4, L3JB5, L3JB6

FEATURES:

- Metal Straps Included
- For 5-6" Pole Diameters
- Side, Back & Bottom 3/4" Conduit Access

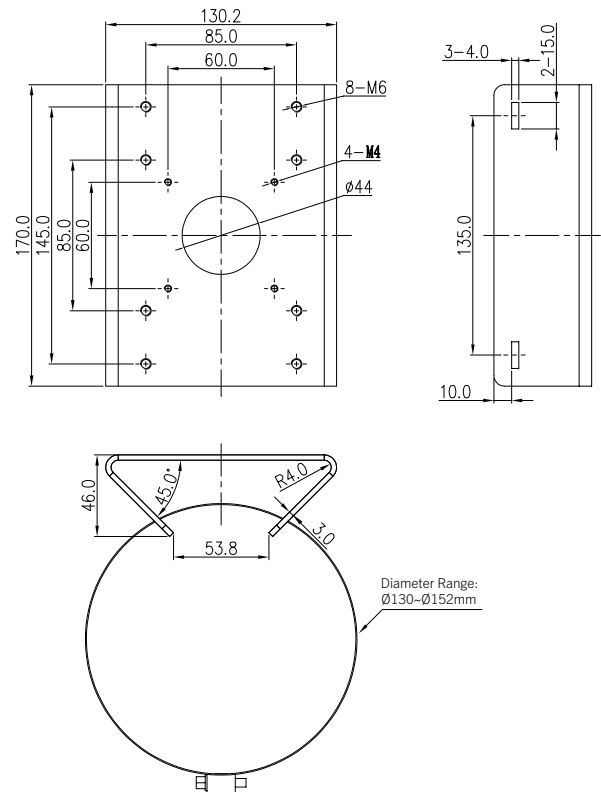
L3POLEMT2



SPECIFICATIONS:

General	
Material	Aluminum Alloy / Stainless Steel
Color	White
Strap Diameter	130 - 152mm / 5.12 x 5.98"
Product Dimensions	130.2 x 46 x 170mm / 5.13 x 1.81 x 6.69"
Product Weight	0.41kg / 0.9lb.
Max Bearing Weight	4kg / 8.82lb.

DIMENSIONS:



INCLUDED ACCESSORIES:

Item	Qty
Pole Mount Bracket	1
Stainless Steel Straps	2
Phillips Round Head Screws PM4 x 10mm	4
Hexagon Socket Head Screws M6 x 16mm	4
Expansion Screws M6x60mm	4
Allen Wrench	1

ABOUT THIS BRACKET – Read Before Use

1. Before installation, please check the bracket packing and accessories are intact. If the bracket is damaged or missing accessories please contact us at 855-388-7422.
2. Do not exceed the MAX load listed on the bracket label.
3. Check the installation area and make sure it will support the total weight of the installed product and bracket.
4. Bracket ships with installation screws, check the material the bracket will be installed onto and use appropriate screws based on the material (may not be supplied with bracket).
5. If the bracket is installed near the ocean or areas exposed to heavy chemicals corrosion may occur which can affect the strength of the bracket. Check the bracket regularly for corrosion.

TECHNICAL SPECIFICATIONS

L3PTZCRNMT

SUPPORTED MODELS:

Wall Mount Arm Included with L3IP4PTZ30X & LA5PTZ33X Cameras
L3PTZJB (Junction Box)

FEATURES:

- Outside Corner Mount for Liberty IP & Analog PTZ Cameras
- Heavy Duty Steel Construction

SPECIFICATIONS:

General	
Material	Heavy Duty Steel
Color	White
Product Dimensions	254.8mm x 320mm x 141.1 / 10.03" (L) x 12.6" (H) x 5.6" (D)
Product Weight	4.2 kg / 9.26lb
Max Bearing Weight	11 kg / 24.25lb

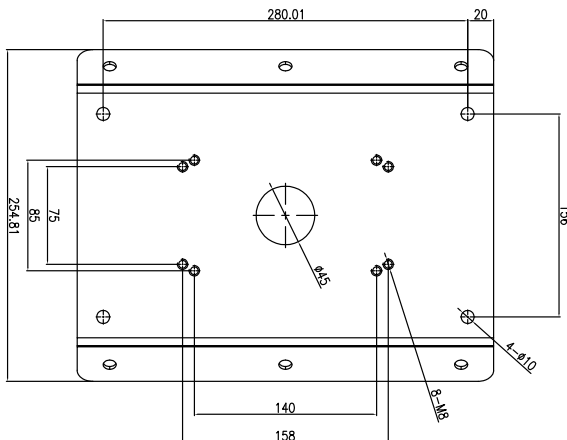


L3PTZCRNMT

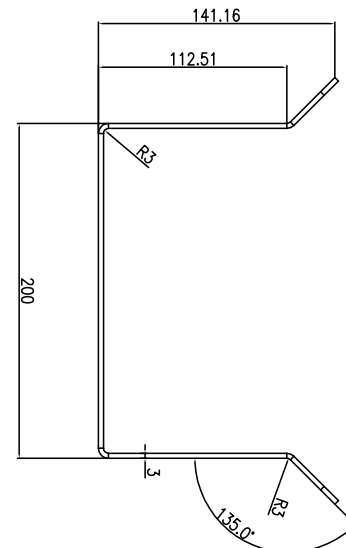
INCLUDED ACCESSORIES:

General	
Mounting Surface Screw	6
Hexagon Screws M8x25	4
Spring Washers	4
Flat Washers	4
Hexagon Nut	4
Quick Start Guide	1
Allen Wrench	1

HOLE MARKINGS:



DIMENSIONS:



ABOUT THIS BRACKET – Read Before Use

1. Before installation, please check the bracket packing and accessories are intact. If the bracket is damaged or missing accessories please contact us at 855-388-7422.
2. Do not exceed the MAX load listed on the bracket label.
3. Check the installation area and make sure it will support the total weight of the installed product and bracket.
4. Bracket ships with installation screws, check the material the bracket will be installed onto and use appropriate screws based on the material (may not be supplied with bracket).
5. If the bracket is installed near the ocean or areas exposed to heavy chemicals corrosion may occur which can affect the strength of the bracket. Check the bracket regularly for corrosion.

ABOUT THIS BRACKET – Read Before Use

1. Before installation, please check the bracket packing and accessories are intact. If the bracket is damaged or missing accessories please contact us at 855-388-7422.
2. Do not exceed the MAX load listed on the bracket label.
3. Check the installation area and make sure it will support the total weight of the installed product and bracket.
4. Bracket ships with installation screws, check the material the bracket will be installed onto and use appropriate screws based on the material (may not be supplied with bracket).
5. If the bracket is installed near the ocean or areas exposed to heavy chemicals corrosion may occur which can affect the strength of the bracket. Check the bracket regularly for corrosion.

TECHNICAL SPECIFICATIONS

SUPPORTED MODELS:

L3IP4PTZ30X

LA5PTZ33X

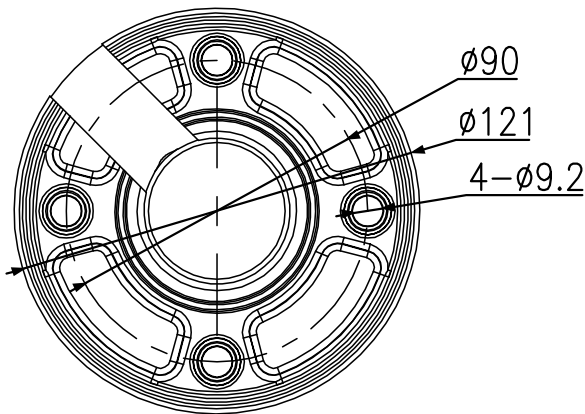
FEATURES:

- Ceiling Mount for Liberty IP & Analog PTZ Cameras
- Heavy Duty Aluminum Construction

SPECIFICATIONS:

General	
Material	Heavy Duty Aluminum
Color	White
Product Dimensions	254.8mm x 320mm x 141.1 / 10.03" (L) x 12.6" (H) x 5.6" (D)
Product Weight	620g / 1.4lb
Max Bearing Weight	11 kg / 24.25lb

HOLE MARKINGS:



L3PTZPENDMT

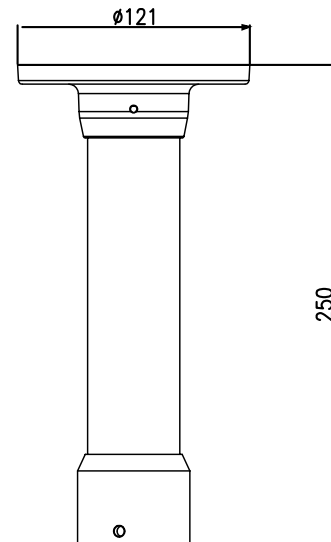


L3PTZPENDMT

INCLUDED ACCESSORIES:

General	
Allen Set Screws	2
Hexagon screws	3
Mounting Screws	4
Quick start Guide	1
Quick Start Guide	1

DIMENSIONS:



ABOUT THIS BRACKET – Read Before Use

1. Before installation, please check the bracket packing and accessories are intact. If the bracket is damaged or missing accessories please contact us at 855-388-7422.
2. Do not exceed the MAX load listed on the bracket label.
3. Check the installation area and make sure it will support the total weight of the installed product and bracket.
4. Bracket ships with installation screws, check the material the bracket will be installed onto and use appropriate screws based on the material (may not be supplied with bracket).
5. If the bracket is installed near the ocean or areas exposed to heavy chemicals corrosion may occur which can affect the strength of the bracket. Check the bracket regularly for corrosion.

SUPPORTED MODELS:

Wall Mount Arm Included with L3IP4PTZ30X & LA5PTZ33X Cameras
L3PTZJB (Junction Box)

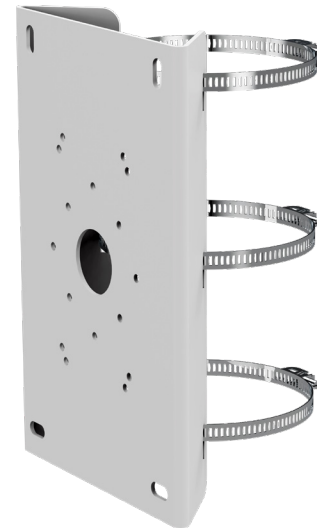
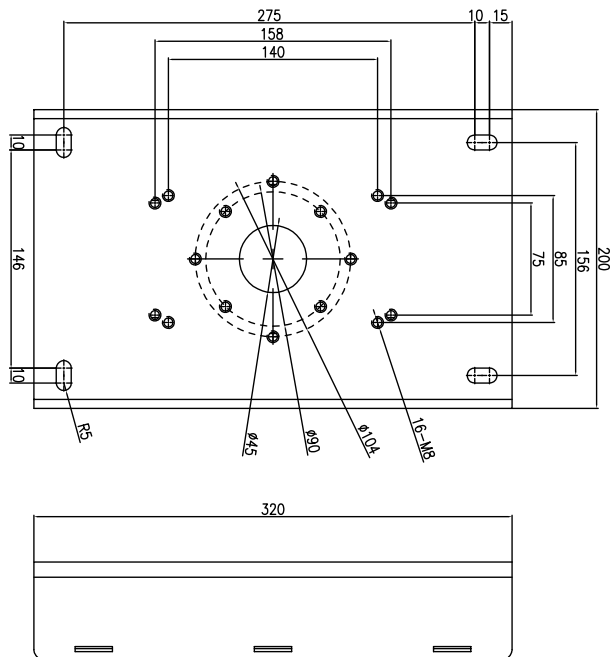
FEATURES:

- Pole Mount for for Liberty IP & Analog PTZ Cameras
- Heavy Duty Steel Construction
- Metal Straps included
- For 6-7" Pole Diameters

SPECIFICATIONS:

General	
Material	Heavy Duty Steel
Color	White
Product Dimensions	200mm x 320mm x 67.2mm / 7.9" (W) x 12.6" (H) x 2.6" (D)
Product Weight	3.2Kg / 7.5lb
Max Bearing Weight	11 kg / 24.25lb

HOLE MARKINGS:

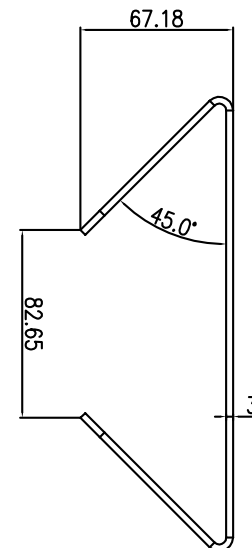


L3PTZPOLEMT

INCLUDED ACCESSORIES:

General	
Pole Mount Bracket	1
Stainless Steel Straps	3
Spring Washers	4
Flat Washers	4
Hexagon Bolts	4
Hexagon Nut	4
Allen Wrench	1
Quick Start Guide	1

DIMENSIONS:



ABOUT THIS BRACKET – Read Before Use

1. Before installation, please check the bracket packing and accessories are intact. If the bracket is damaged or missing accessories please contact us at 855-388-7422.
2. Do not exceed the MAX load listed on the bracket label.
3. Check the installation area and make sure it will support the total weight of the installed product and bracket.
4. Bracket ships with installation screws, check the material the bracket will be installed onto and use appropriate screws based on the material (may not be supplied with bracket).
5. If the bracket is installed near the ocean or areas exposed to heavy chemicals corrosion may occur which can affect the strength of the bracket. Check the bracket regularly for corrosion.