

4K 28" Widescreen LED Security Monitor

w/ Display Port, VGA & (3) HDMI Inputs

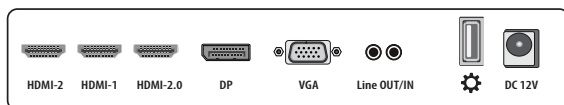
LSM4K28



FEATURES:

- ◆ NDAA & TAA Compliant
- ◆ 16:9 Aspect Ratio
- ◆ 4K / 3840 x 2160 Max Resolution
- ◆ Active Display, Diagonal 28" (71.12cm)
- ◆ (3) HDMI Inputs
- ◆ Display Port & VGA Port
- ◆ Low Power Consumption
- ◆ Includes HDMI & VGA Cables
- ◆ Includes IR Remote Control
- ◆ Super Fast 5ms Response Time
- ◆ PIP, PBP (2-4 Window)
- ◆ PC Audio Input/Output
- ◆ Full OSD Control of All Monitor Functions
- ◆ Vesa Mounting (100x100)
- ◆ LED Backlight
- ◆ CE & FCC Certifications

REAR PANEL CONNECTIONS:



PACKAGE CONTENTS:

- 1. – 1.8M HDMI Cable
- 1. – 1.8M VGA Cable
- 1. – 1.5M 3.5mm Stereo Audio Cable
- 1. – Power Supply w/ 1.8M Power Cord
- 1. – User Manual
- 1. – Remote Control
- 1. – Monitor Stand

SPECIFICATION	LSM4K28
Video System	NTSC/PAL (Auto Sensing)
Max Resolution	3840x2160 (4K) @ 60Hz
Remote Control	Included
Supported Resolutions	3840*2160, 2560*1440, 1920*1080, 1680*1050, 1400*900, 1280*1024, 1024*768, 800*600, 640*480
OSD (On Screen Display)	Yes
Auto Adjustment	Yes (VGA Input Only)
Backlight	LED Backlight
Active Display Area	Diagonal 28" (71.12cm)
Video Input Connections	VGA, DP, HDMI 2.0, HDMI-1, HDMI-2
VGA	1920 x 1080 Max Resolution
Display Port & HDMI 2.0	4K UHD @ 60Hz Max Resolution (DP Version 1.2, HDMI Version 2.0)
HDMI-1, HDMI-2	4K UHD @ 30Hz Max Resolution (HDMI Version 1.4)
Aspect Ratio	16:9, 4:3, 1:1, Auto (Selectable from OSD)
Pixel Pitch	0.16(H) x 0.16(V) mm
Color Depth	1.07G Colors
Brightness	300 cd/m2
Contrast Ratio	1000:1
Viewing Angle	Vertical -80°~80° / Horizontal -85°~85°
Response Time	5 ms
Languages	English, Russian, Spanish, French, Chinese, Japanese, Korean
Special Features	PIP, PBP (2, 3 & 4 Window)
Audio Connections	3.5mm Jack Input/Output
Speakers	5W x2
Power Supply	External 12Volt DC / 4Amp
Input Voltage for Power Supply	AC 100-240V 50/60HZ
Power Consumption	42W Max. in "ON" Mode
Dimensions w/Stand (W x H x D)	663(W) x 453(H) x 175(D) mm
Weight (with stand)	11.2lb (5.08kg)
Vesa Mounting	100 x 100mm with M4 Hole
Housing Material / Color	Plastic / Black
Operating Temperature	Operation: 0°~40°C (32° ~104°F)

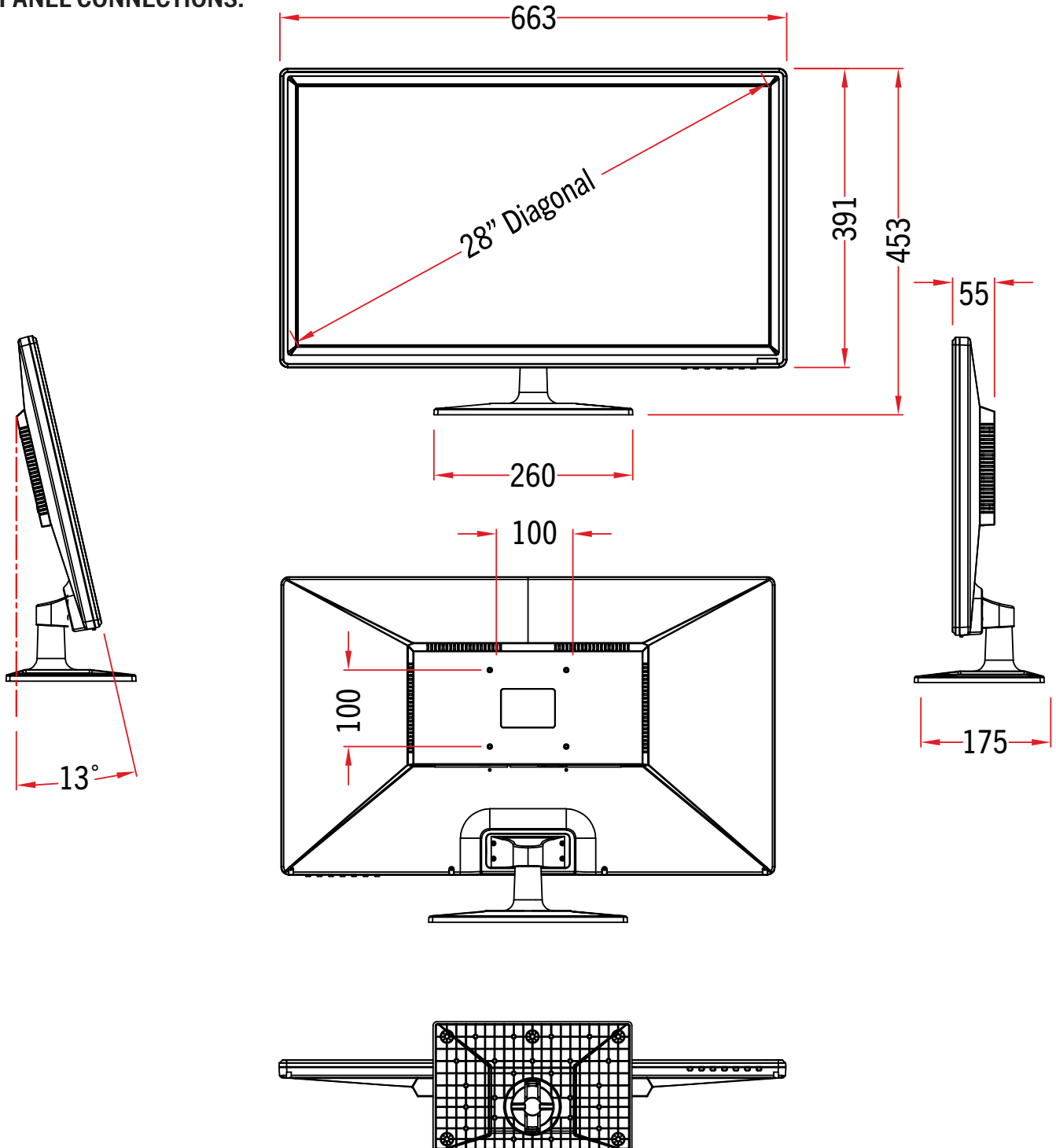
4K 28" Widescreen LED Security Monitor

w/ Display Port, VGA & (3) HDMI Inputs

LSM4K28

Monitor Dimensions

REAR PANEL CONNECTIONS:



Security Rated 17" LED Monitor

HDMI, VGA & BNC Video Inputs, PC Audio In/Output

LSM17ST



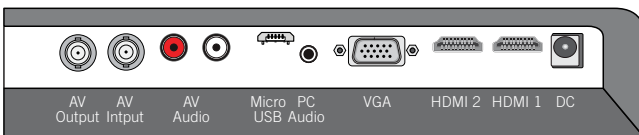
FEATURES:

- ◆ NDAA & TAA Compliant
- ◆ 5:4 Aspect Ratio
- ◆ 1280 x 1024 Max Resolution
- ◆ Active Display, Diagonal 17" (43.18cm)
- ◆ Dual HDMI Inputs
- ◆ VGA & Looping BNC Input
- ◆ Low Power Consumption
- ◆ Includes HDMI & VGA Cables
- ◆ Super Fast 5ms Response Time
- ◆ 3D Comb Filter & 3D De-Interlace
- ◆ 3D Digital Noise Reduction
- ◆ RCA & PC Audio Inputs
- ◆ Full OSD Control of All Monitor Functions
- ◆ Vesa Mounting (75 x 75)
- ◆ LED Backlight
- ◆ CE & FCC Certifications

PACKAGE CONTENTS:

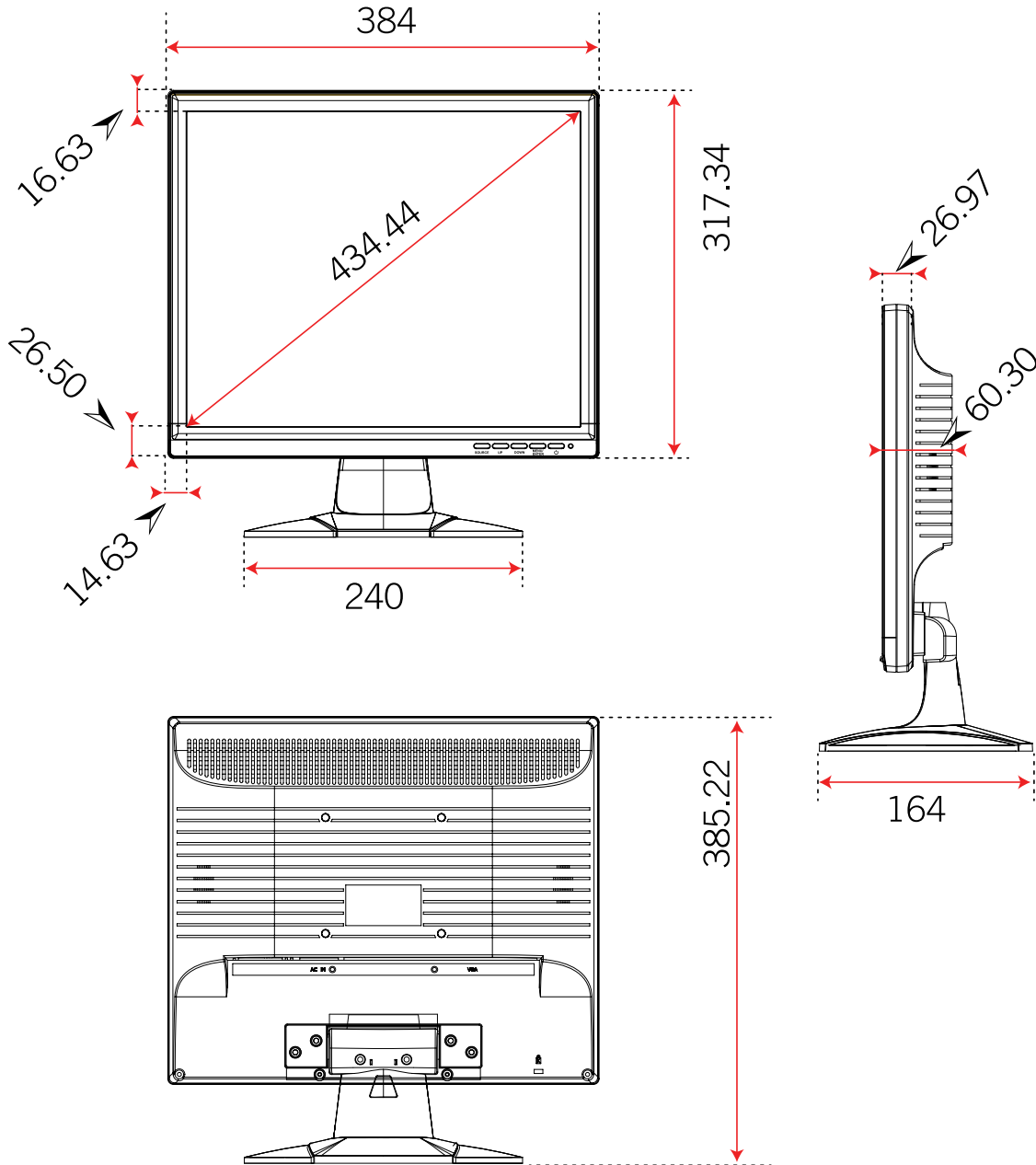
- 1. – 1.8M HDMI Cable
- 1. – 1.8M VGA Cable
- 1. – 1.5M 3.5mm Stereo Audio Cable
- 1. – Power Supply w/ 1.8M Power Cord
- 1. – Monitor Stand
- 1. – User Manual

REAR PANEL CONNECTIONS:



SPECIFICATION	LSM17ST
Video System	NTSC/PAL (Auto Sensing)
Max Resolution	1280 x 1024 (Native)
Supported Resolutions	720x400; 640x480; 800x600; 1024x768; 1280x1024; 1920x1080 (Upscaled)
Video Connections	HDMI, VGA, BNC Input/Output
3D Comb Filter	Yes
3D De-Interlace	Yes
OSD (On Screen Display)	Yes
Backlight	LED
Active Display Area	Diagonal 17" (43.18cm)
Impedance	75 OHM Self Terminating
Video Input Signals	HDMI, VGA, Composite BNC
Aspect Ratio	5:4
Pixel Pitch	0.264
Color Depth	16.7 Million Colors
Brightness	300 c/dm ²
Contrast Ratio	1000:1
Viewing Angle (H/V)	170°/160°
Response Time	5ms
Auto Adjustment	Yes
Certificates	CE, FCC, UL
Languages	English, French, Spanish, German, Japanese, Dutch, Russian, Italian
Input Voltage	External 12Volt DC / 3 Amp
Power Consumption	<25W
Audio Connections	PC Audio (3.5mm Stereo) for VGA & BNC Input
Speakers	8Ω, 2 Watt per Channel
Dimensions with stand (H x W x D)	385 x 372 x 164mm
Weight (with stand)	2.98Kgs(6.56lbs)
Vesa Mounting	Yes (75 x 75)
Operating Temperature	32° ~ 104°(0°C ~ 40°C)

Monitor Dimensions:



18.5" Widescreen LED Security Monitor w/HDMI, VGA & BNC Video Inputs, RCA & PC Audio Inputs

LSM18



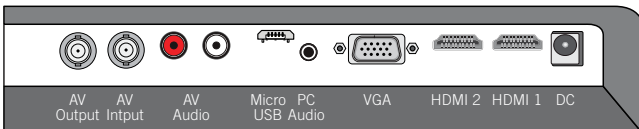
FEATURES:

- ◆ NDAA & TAA Compliant
- ◆ 16:9 Aspect Ratio
- ◆ 1366 x 768 Max Resolution
- ◆ Active Display, Diagonal 18.5" (46.99cm)
- ◆ Dual HDMI Inputs
- ◆ VGA & Looping BNC Input
- ◆ Low Power Consumption
- ◆ Includes HDMI & VGA Cables
- ◆ Super Fast 5ms Response Time
- ◆ 3D Comb Filter & 3D De-Interlace
- ◆ 3D Digital Noise Reduction
- ◆ RCA & PC Audio Inputs
- ◆ Full OSD Control of All Monitor Functions
- ◆ Vesa Mounting (100 x 100)
- ◆ LED Backlight
- ◆ CE & FCC Certifications

PACKAGE CONTENTS:

- 1. – 1.8M HDMI Cable
- 1. – 1.8M VGA Cable
- 1. – 1.5M 3.5mm Stereo Audio Cable
- 1. – Power Supply w/ 1.8M Power Cord
- 1. – User Manual
- 1. – Monitor Stand

REAR PANEL CONNECTIONS:

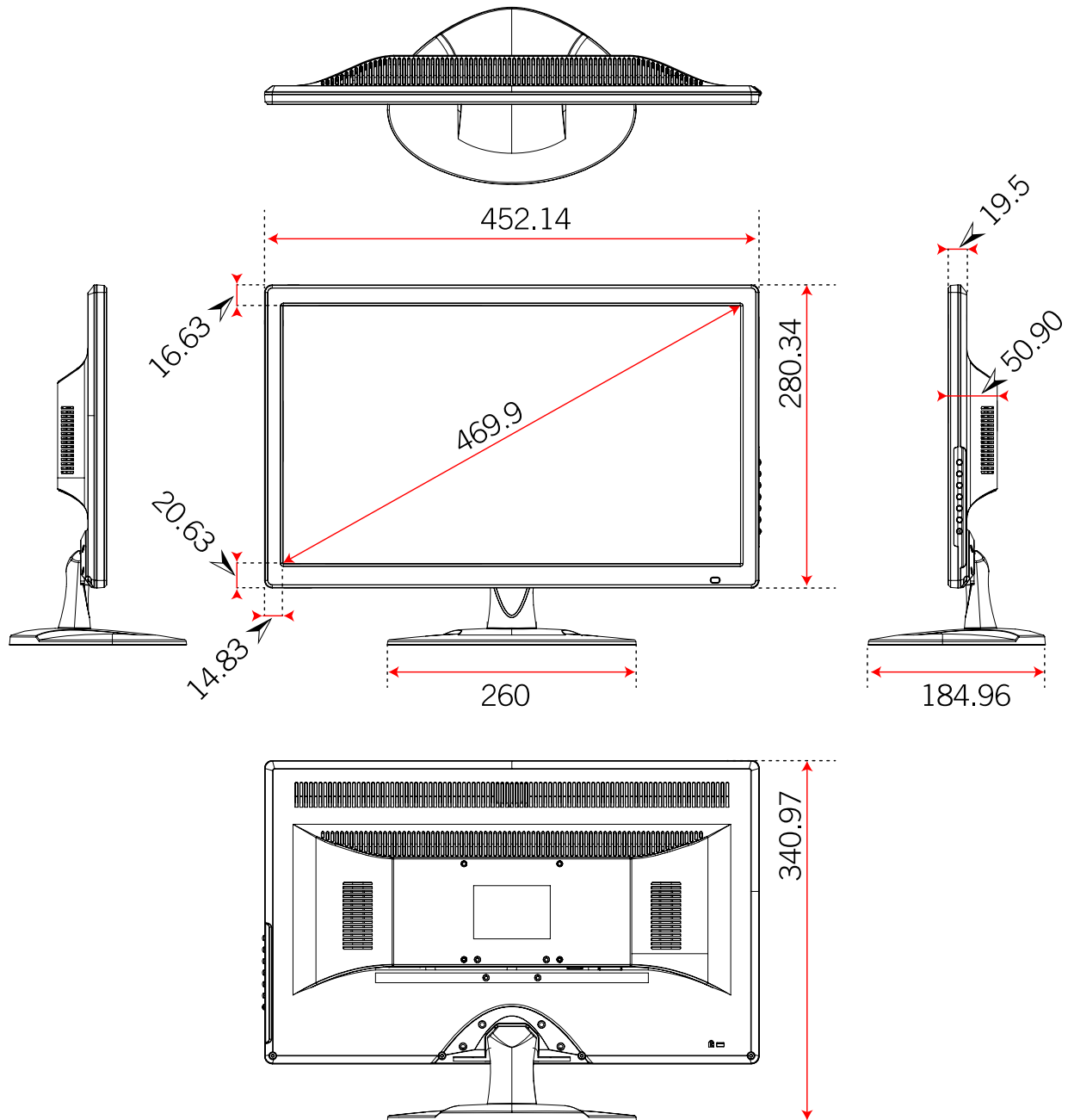


SPECIFICATION	LSM18
Video System	NTSC/PAL (Auto Sensing)
Max Resolution	1366 x 768
Supported Resolutions	720x400; 640x480; 800x600; 1024x768; 1280x1024; 1360x768; 1920x1080 (scaled)
3D Comb Filter	Yes
3D De-Interlace	Yes
OSD (On Screen Display)	Yes
Backlight	LED (RGB)
Active Display Area	Diagonal 18.5" (46.99cm)
Impedence	75 OHM Self Terminating
Video Input Signals	HDMI, VGA, Composite BNC
Aspect Ratio	Selectable 16:9 or 4:3 in OSD
Pixel Pitch	0.3
Color Depth	16.7 Million Colors
Brightness	250 CD/m2
Contrast Ratio	2000:1
Viewing Angle (H/V)	(170/160)
Response Time	5ms
Auto Adjustment	Yes
Certificates	UL, CUL, CE, FCC, HDMI Forum
Languages	English, French, Spanish, German, Japanese, Dutch, Russian, Italian
Input Voltage	External 12Volt DC / 3 Amp
Power Consumption	< 20W
Video Connections	HDMI, VGA, BNC Input/Output
Audio Connections	RCA & PC Audio Inputs
Dimensions (with stand) (H x W x D)	452 x 341 x 185 mm
Weight (with stand)	2.76Kgs (6.08lbs)
Vesa Mounting	Yes (100 x 100)
Operating Temperature	32° ~ 104°F

18.5" Widescreen LED Security Monitor w/HDMI, VGA & BNC Video Inputs, RCA & PC Audio Inputs

LSM18

Monitor Dimensions:



21.5" Widescreen LED Security Monitor

with HDMI, VGA & BNC Inputs, RCA & PC Audio, IR Remote

LSM22R



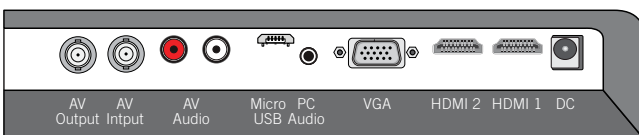
FEATURES:

- ◆ NDAA & TAA Compliant
- ◆ 16:9 Aspect Ratio
- ◆ 1920 x 1080 Max Resolution
- ◆ Active Display, Diagonal 21.5" (54.61 cm)
- ◆ Dual HDMI Inputs
- ◆ VGA & Looping BNC Input
- ◆ Low Power Consumption
- ◆ Includes HDMI & VGA Cables
- ◆ Includes Remote Control
- ◆ Super Fast 5ms Response Time
- ◆ 3D Comb Filter & 3D De-Interlace
- ◆ 3D Digital Noise Reduction
- ◆ RCA & PC Audio Inputs
- ◆ Full OSD Control of All Monitor Functions
- ◆ Vesa Mounting (100 x 100)
- ◆ LED Backlight
- ◆ CE & FCC Certifications

PACKAGE CONTENTS:

- 1. – 1.8M HDMI Cable
- 1. – 1.8M VGA Cable
- 1. – 1.5M 3.5mm Stereo Audio Cable
- 1. – Power Supply w/ 1.8M Power Cord
- 1. – User Manual
- 1. – Remote Control
- 1. – Monitor Stand

REAR PANEL CONNECTIONS:



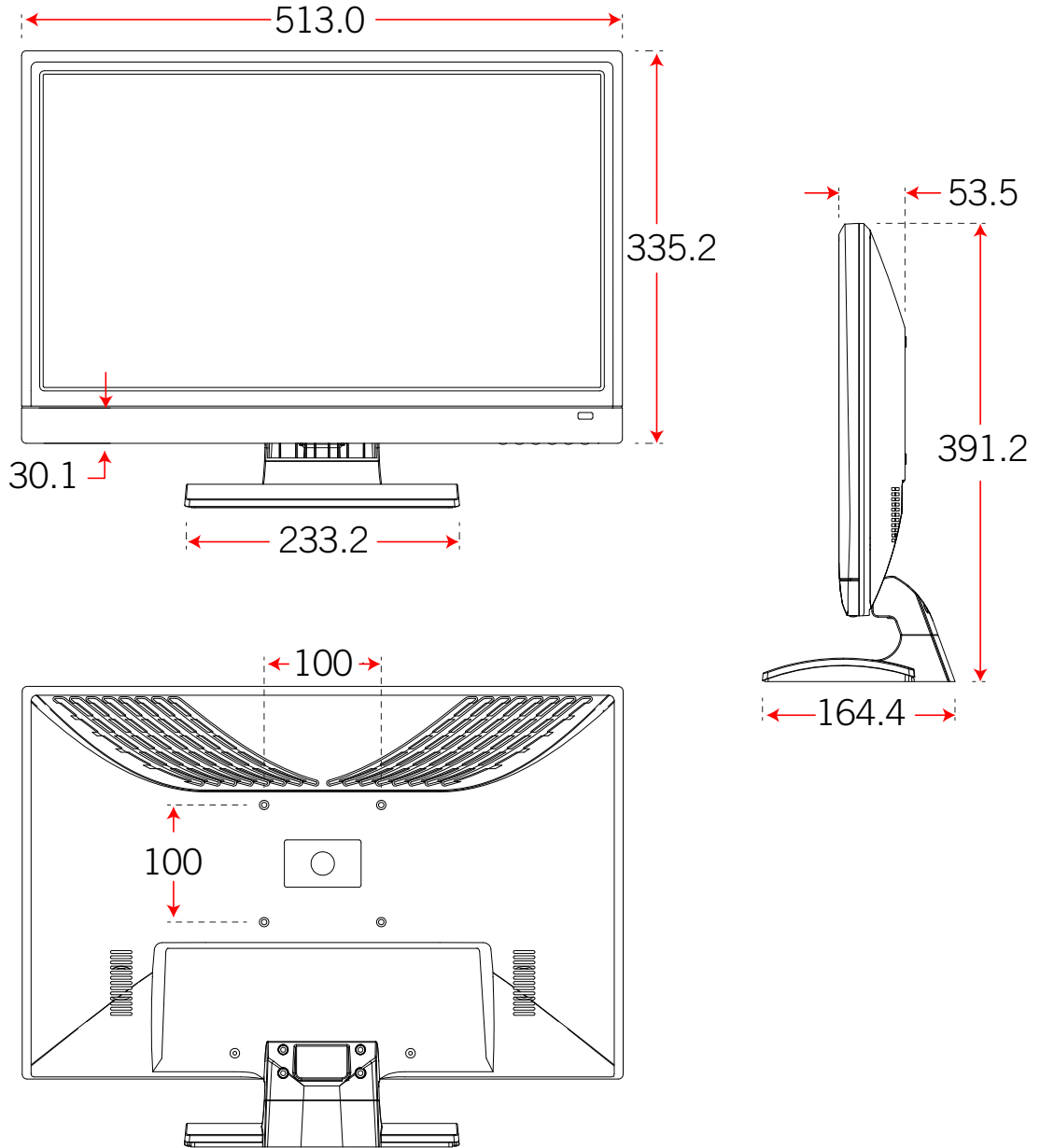
SPECIFICATION	LSM22R
Video System	NTSC/PAL (Auto Sensing)
Max Resolution	1920 x 1080
Supported Resolutions	720x400; 640x480; 800x600; 1024x768; 1280x1024; 1366x768; 1440x900; 1600x900; 1680x1050; 1920x1080
3D Comb Filter	Yes
3D De-Interlace	Yes
OSD (On Screen Display)	Yes
Backlight	LED (RGB)
Active Display Area	Diagonal 21.5" (54.61 cm)
Impedance	75 OHM Self Terminating
Video Input Signals	HDMI, VGA, Composite BNC
Video Connections	HDMI x2, VGA x1, BNC x1
Audio Connections	RCA x2, PC Audio x1
IR Remote	Yes - Included
Aspect Ratio	16:9
Pixel Pitch	0.275 x 0.275
Color Depth	16.7 Million Colors
Brightness	280 cd/m2
Contrast Ratio	1000:1
Viewing Angle (H/V)	Vertical -80°~80° / Horizontal -85°~85°
Response Time	5 ms
Auto Adjustment	Yes
Certificates	CE, FCC
Languages	English, French, Spanish, German, Japanese, Dutch, Russian, Italian
Input Voltage	External 12Volt DC / 3 Amp
Power Consumption	30W Maximum
Dimensions (with stand) (W x H x D)	513 x 391 x 164 mm
Weight (with stand)	3.53Kgs(7.78lbs)
Vesa Mounting	Yes - 100 x 100
Operating Temperature	32° ~ 104°F

21.5" Widescreen LED Security Monitor

with HDMI, VGA & BNC Inputs, RCA & PC Audio, IR Remote

LSM22R

Monitor Dimensions:



23.6" Widescreen LED Security Monitor

with HDMI, VGA & BNC Inputs, RCA & PC Audio, IR Remote

LSM24R



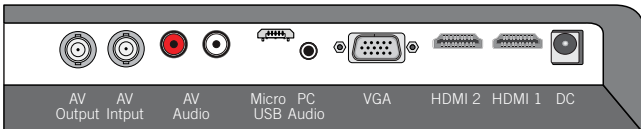
FEATURES:

- ◆ NDAA & TAA Compliant
- ◆ 16:9 Aspect Ratio
- ◆ 1920 x 1080 Max Resolution
- ◆ Active Display, Diagonal 23.6" (59.94cm)
- ◆ Dual HDMI Inputs
- ◆ VGA & Looping BNC Input
- ◆ Low Power Consumption
- ◆ Includes HDMI & VGA Cables
- ◆ Includes Remote Control
- ◆ Super Fast 5ms Response Time
- ◆ 3D Comb Filter & 3D De-Interlace
- ◆ 3D Digital Noise Reduction
- ◆ RCA & PC Audio Inputs
- ◆ Full OSD Control of All Monitor Functions
- ◆ Vesa Mounting (100 x 100)
- ◆ LED Backlight
- ◆ CE & FCC Certifications

PACKAGE CONTENTS:

- 1. – 1.8M HDMI Cable
- 1. – 1.8M VGA Cable
- 1. – 1.5M 3.5mm Stereo Audio Cable
- 1. – Power Supply w/ 1.8M Power Cord
- 1. – User Manual
- 1. – Remote Control
- 1. – Monitor Stand

REAR PANEL CONNECTIONS:



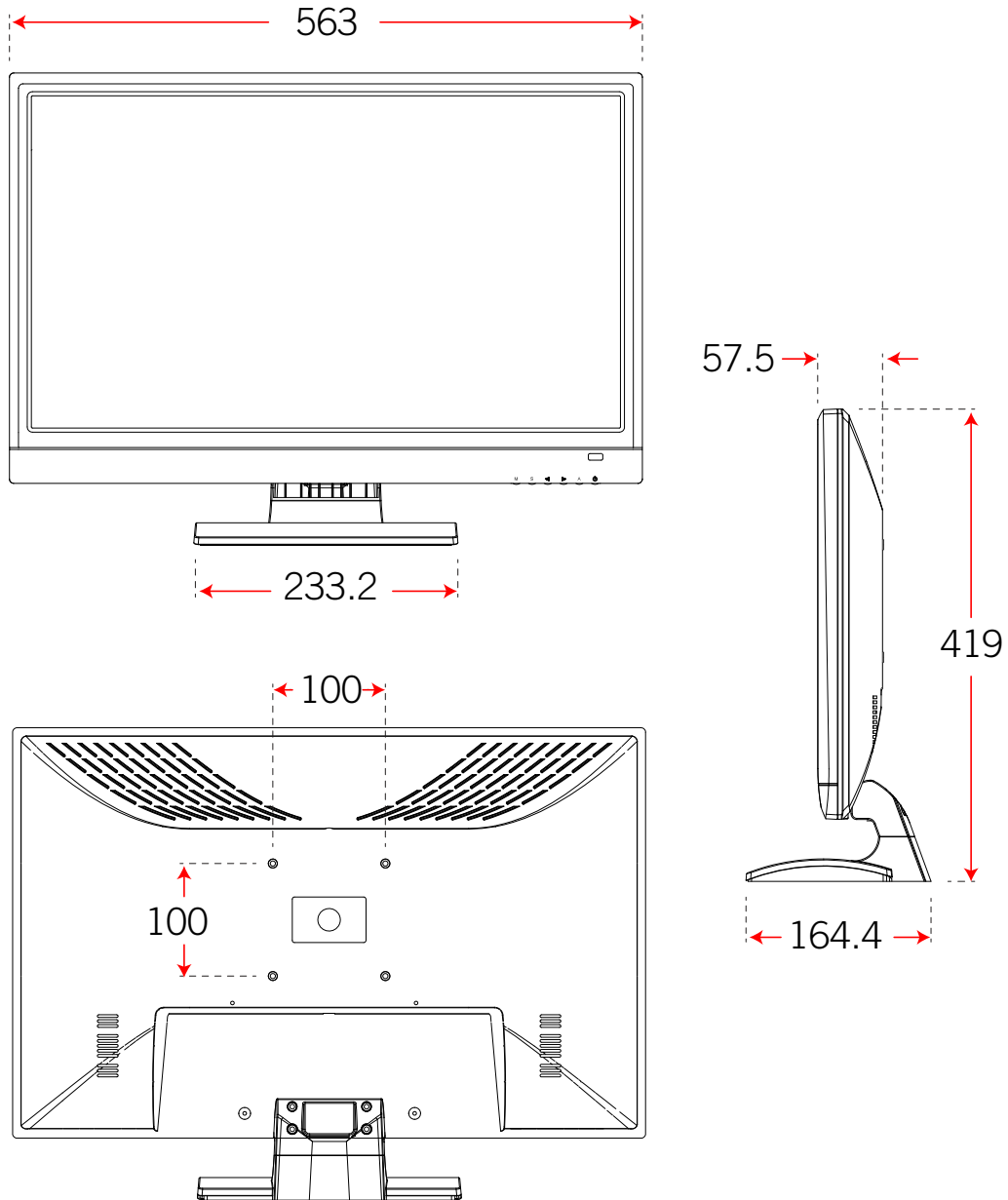
SPECIFICATION	LSM24R
Video System	NTSC/PAL (Auto Sensing)
Max Resolution	1920 x 1080
Supported Resolutions	720x400; 640x480; 800x600; 1024x768; 1280x1024; 1366x768; 1440x900; 1600x900; 1680x1050; 1920x1080
3D Comb Filter	Yes
3D De-Interlace	Yes
OSD (On Screen Display)	Yes
Backlight	LED (RGB)
Active Display Area	Diagonal 23.6" (59.94cm)
Impedance	75 OHM Self Terminating
Video Input Signals	HDMI, VGA, Composite BNC
Video Connections	HDMI x2, VGA x1, BNC x1
Audio Connections	RCA x2, PC Audio x1
IR Remote	Yes - Included
Aspect Ratio	16:9
Pixel Pitch	0.275 x 0.275
Color Depth	16.7 Million Colors
Brightness	280 cd/m2
Contrast Ratio	1000:1
Viewing Angle (H/V)	Vertical -80°~80° / Horizontal -85°~85°
Response Time	5 ms
Auto Adjustment	Yes
Certificates	CE, FCC
Languages	English, French, Spanish, German, Japanese, Dutch, Russian, Italian
Input Voltage	External 12Volt DC / 3 Amp
Power Consumption	30W Maximum
Dimensions (with stand) (W x H x D)	563 x 419 x 164 mm
Weight (with stand)	3.81Kgs(8.39lbs)
Vesa Mounting	Yes - 100 x 100
Operating Temperature	32° ~ 104°F

23.6" Widescreen LED Security Monitor

with HDMI, VGA & BNC Inputs, RCA & PC Audio, IR Remote

LSM24R

Monitor Dimensions:



32" Widescreen LED Security Monitor

with HDMI, VGA & BNC Inputs, RCA & PC Audio, IR Remote

LSM32R



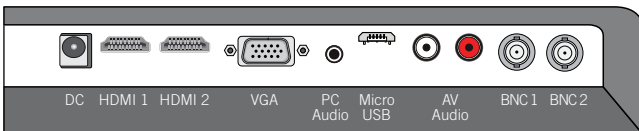
FEATURES:

- ◆ NDAA & TAA Compliant
- ◆ 16:9 Aspect Ratio
- ◆ 1920 x 1080 Max Resolution
- ◆ Active Display, Diagonal 32" (81.28cm)
- ◆ Dual HDMI Inputs
- ◆ VGA & Looping BNC Input
- ◆ Low Power Consumption
- ◆ Includes HDMI & VGA Cables
- ◆ Includes Remote Control
- ◆ Super Fast 6.5ms Response Time
- ◆ 3D Comb Filter & 3D De-Interlace
- ◆ 3D Digital Noise Reduction
- ◆ RCA & PC Audio Inputs
- ◆ Full OSD Control of All Monitor Functions
- ◆ Vesa Mounting (200 x 100)
- ◆ LED Backlight
- ◆ CE & FCC Certifications

PACKAGE CONTENTS:

- 1. – 1.8M HDMI Cable
- 1. – 1.8M VGA Cable
- 1. – 1.5M 3.5mm Stereo Audio Cable
- 1. – Power Supply w/ 1.8M Power Cord
- 1. – User Manual
- 1. – Remote Control
- 1. – Monitor Stand w/ Hardware Pack

REAR PANEL CONNECTIONS:



SPECIFICATION	LSM32R
Video System	NTSC/PAL (Auto Sensing)
Max Resolution	1920 x 1080
Supported Resolutions	720x400; 640x480; 800x600; 1024x768; 1280x1024; 1366x768; 1440x900; 1600x900; 1680x1050; 1920x1080
3D Comb Filter	Yes
3D De-Interlace	Yes
OSD (On Screen Display)	Yes
Backlight	LED (RGB)
Active Display Area	Diagonal 32" (81.28cm)
Impedance	75 OHM Self Terminating
Video Input Signals	HDMI, VGA, Composite BNC
Video Connections	HDMI x2, VGA x1, BNC x1
Audio Connections	RCA x2, PC Audio x1
IR Remote	Yes - Included
Aspect Ratio	16:9
Pixel Pitch	0.311 x 0.311
Color Depth	16.7 Million Colors
Brightness	300 cd/m2
Contrast Ratio	1400:1
Viewing Angle (H/V)	Vertical -80°~80° / Horizontal -85°~85°
Response Time	6.5 ms
Auto Adjustment	Yes
Certificates	CE, FCC
Languages	English, French, Spanish, German, Japanese, Dutch, Russian, Italian
Input Voltage	External 12Volt DC / 4Amp
Power Consumption	40W Maximum
Dimensions (with stand) (H x W x D)	730mm x 499mm x 195mm
Weight (with stand)	6.69Kgs(14.74lbs)
Vesa Mounting	Yes - 200 x 100
Operating Temperature	32° ~ 104°F

32" Widescreen LED Security Monitor

with HDMI, VGA & BNC Inputs, RCA & PC Audio, IR Remote

LSM32R

Monitor Dimensions:

